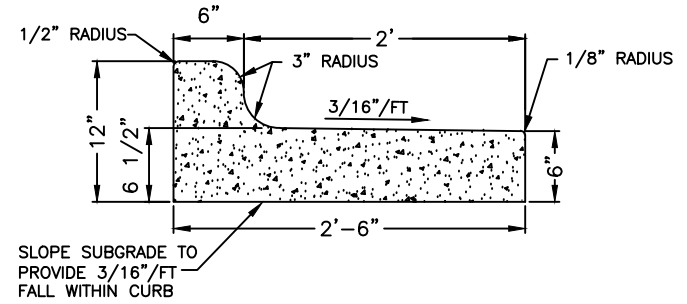
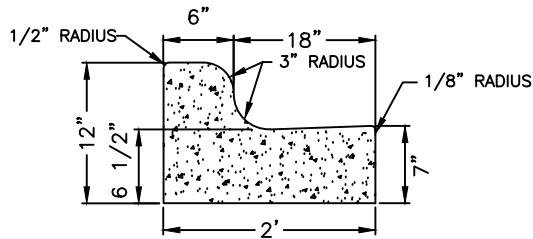


STANDARD 2'-6" CURB & GUTTER

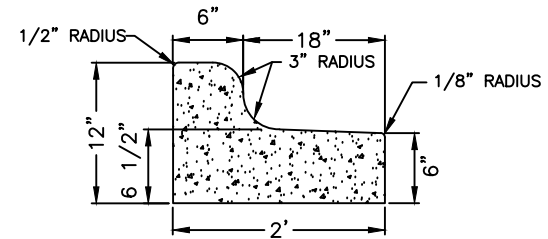


SLOPE SUBGRADE TO PROVIDE 3/16"/FT FALL WITHIN CURB

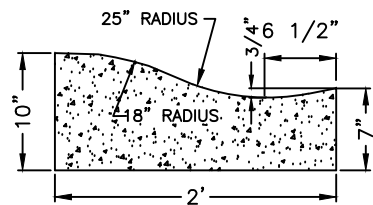
STANDARD 2'-6" SPILL CURB & GUTTER



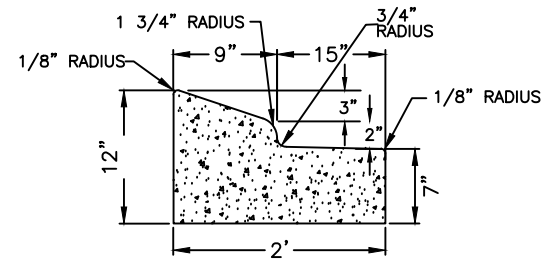
2'-0" CURB & GUTTER



2'-0" SPILL CURB & GUTTER



2'-0" VALLEY GUTTER



2'-0" MOUNTABLE CURB & GUTTER

NOT TO SCALE

CURB & GUTTER