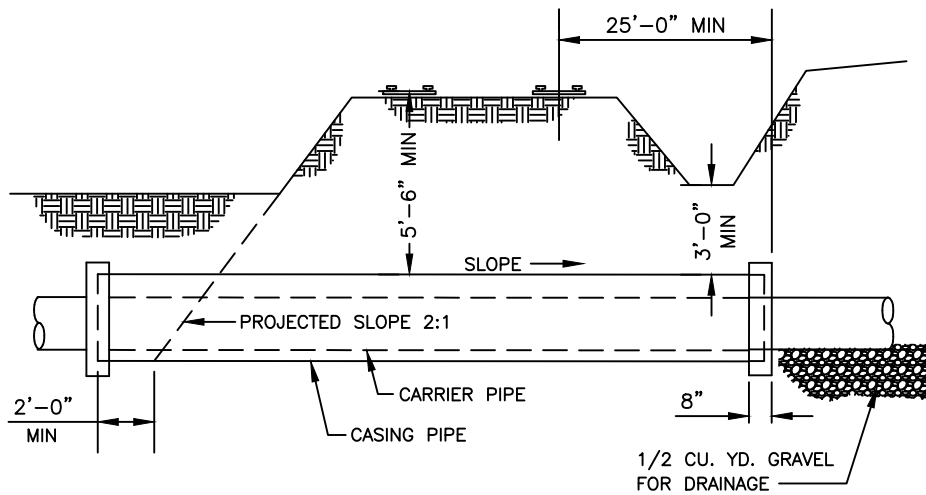
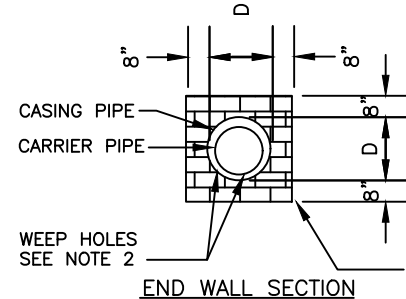


TYPICAL PIPE CROSSING UNDER HIGHWAYS



TYPICAL PIPE CROSSING UNDER RAILROADS



COMMON BRICK MORTAR:
 1 PART PORTLAND CEMENT
 2 PARTS SAND
 D = DIAMETER OF CASING PIPE

NOTES:

1. SEE DESIGN DRAWINGS FOR LOCATION, SIZE, AND LENGTH OF STEEL PIPE CASINGS
2. INSTALL TWO (2) 1" DRAINS EACH SIDE OF CARRIER PIPE IN DOWNHIL ENDWALL

NOT TO SCALE